

CREONTM

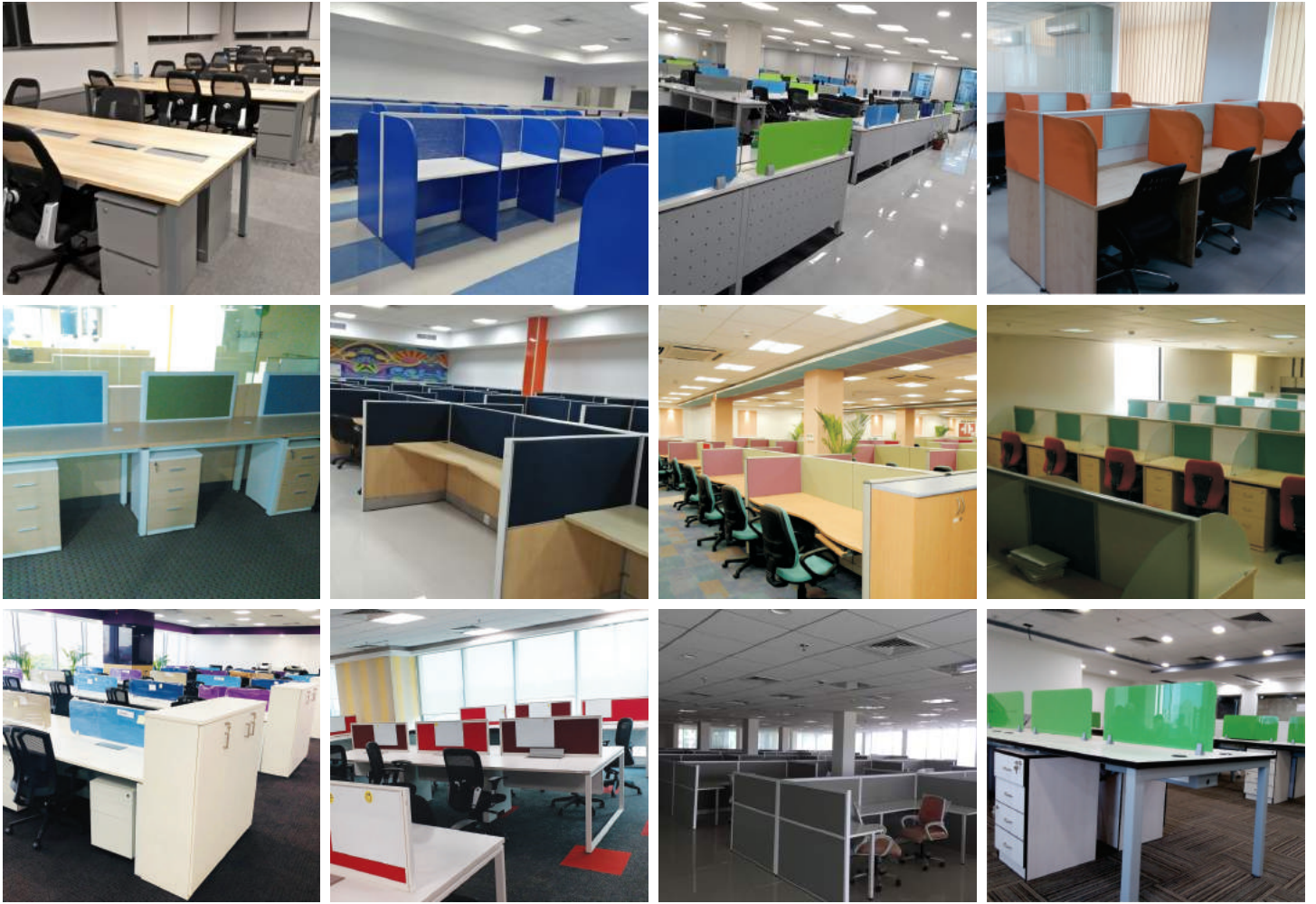
S Y S T E M S

MODULAR FURNITURE

Dream, Imagine & Believe



IF YOU CAN IMAGINE IT, WE CAN CREATE IT!



Profile:

A leading setup by experienced professional hands with a back up of reputable & renowned names from the office furniture industries.

Commitment:

1. Understanding customer requirement.
2. Providing with best cost effective solutions.
3. Delivering commitments.

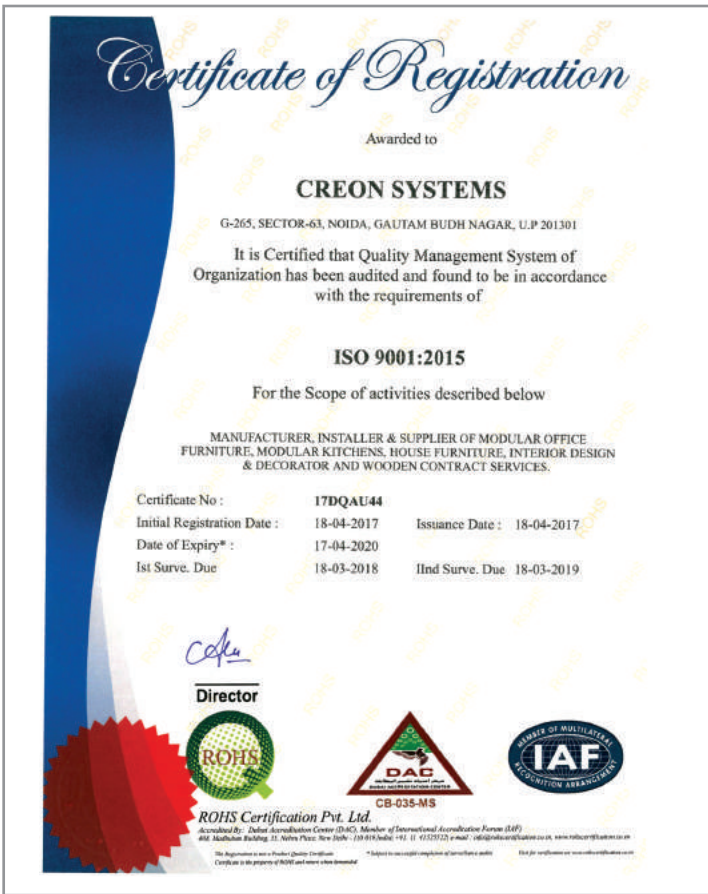
Vision:

Spread satisfaction

Port Folio:

Manufacturing, marketing & trading of best quality products.





4182017 udyogadhaar.gov.in/UAPinAcknowledgment.aspx

भारत सरकार
 Govt of India
 सूक्ष्म, लघु और मध्यम उद्यम मंत्रालय
 MINISTRY OF MICRO, SMALL & MEDIUM ENTERPRISES

MSME
 MICRO, SMALL & MEDIUM ENTERPRISES

उद्योग आधार
 MSME Udyog Aadhaar

A

Type of Enterprise: Micro Small Medium
 Manufacturing: A B C
 Services: D E F
 IAN: UP28A0008328

Udyog Aadhaar Acknowledgement

Udyog Aadhaar Number: UP28A0008328
 Name of Enterprise: MS CREON SYSTEMS
 Location of Plant Details:

S/N	Plot/Door/Block No.	Name of Premises/Building	Village	Road/Street/ Lane	Area/Locality	City	Pin	State	District
1	G-265	Sector-63			Noida	Noida	201301	UTTAR PRADESH	GAUTAM BUDDHA NAGAR

Official Address of Enterprise: G-265, SECTOR-63, NOIDA, District: GAUTAM BUDDHA NAGAR, State: UTTAR PRADESH, PIN: 201301
 Mobile No: 9910030985, Email: shiv4prasad@gmail.com

Date of commencement: 27/05/2015
 Major Activity: MANUFACTURING
 Enterprise Type: Micro
 Previous Registration details if any: None
 National Industry Classification Code:

S/N	NIC 2 Digit	NIC 4 Digit	NIC 5 Digit Code	Activity Type
1	31	3100 - Manufacture of furniture	31001 - Manufacture of furniture made of wood	Manufacturing
2	31	3100 - Manufacture of furniture	31009 - Manufacture of other furniture n.e.c.	Manufacturing
3	74	74 - Other professional, scientific and technical activities	74102 - Activities of interior decorators	Services
4	95	95 - Repair of computers and personal and household durables	95240 - Repair of furniture and home furnishings	Services

Acknowledgement Date of Filing: 18/04/2017 Date of Printing: 18/04/2017

Disclaimer: This is computer generated statement, no signature required
 Printed from udyogadhaar.gov.in
 MyUdyam Mobile App (Beta Version) is available now for download: <https://play.google.com/store/apps/details?id=com.msme>



what's inside... feature stories

PARTITION WORK STATION
 RECEPTION TABLES

DESKING WORK STATION
 CABINET & STORAGES

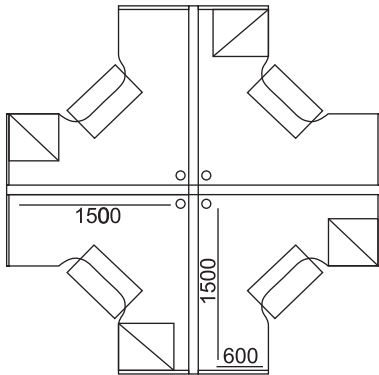
EXECUTIVE TABLES
 CHAIRS & SOFA

MEETING TABLES
 SCHOOL & TRAINING

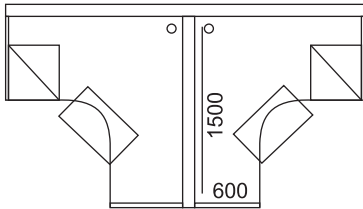
PARTITION WORK STATION



C S I 01



C S I 02



C S I 03

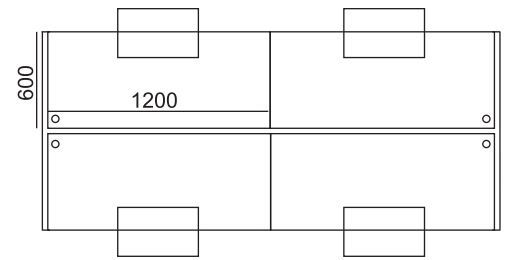


C S I 04

PARTITION WORK STATION



C S 201



C S 202

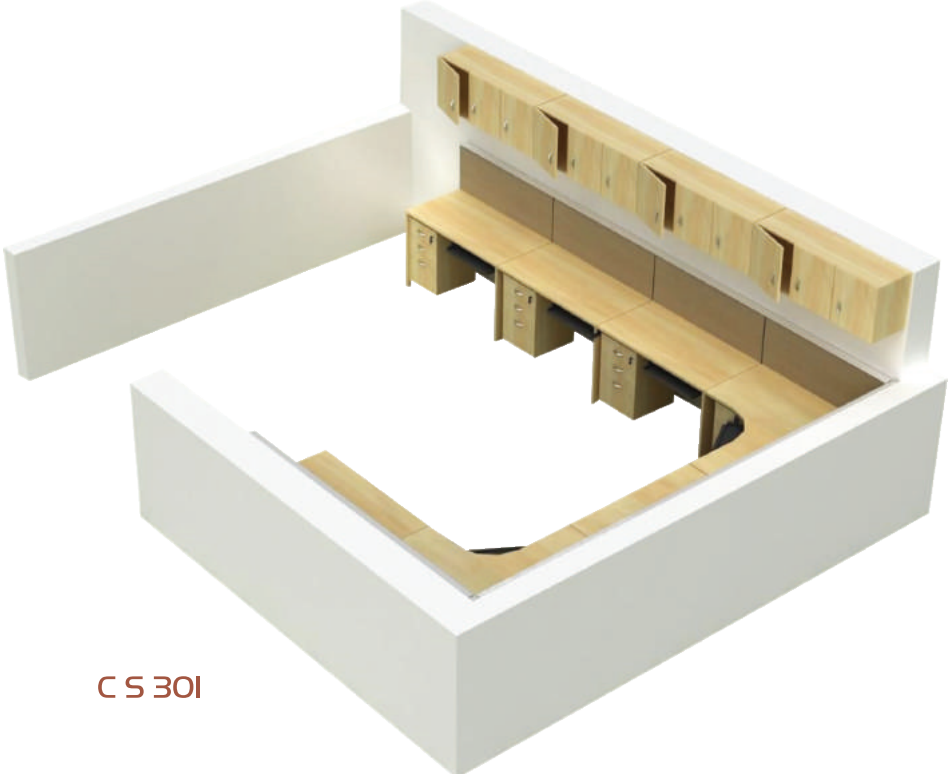


C S 203

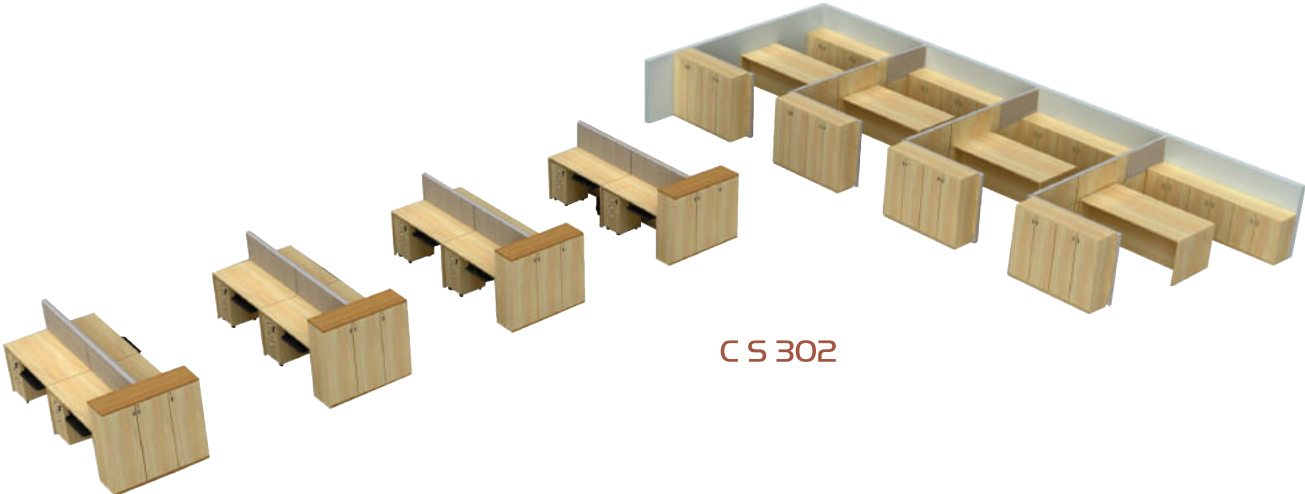


C S 204

PARTITION WORK STATION



C S 301



C S 302

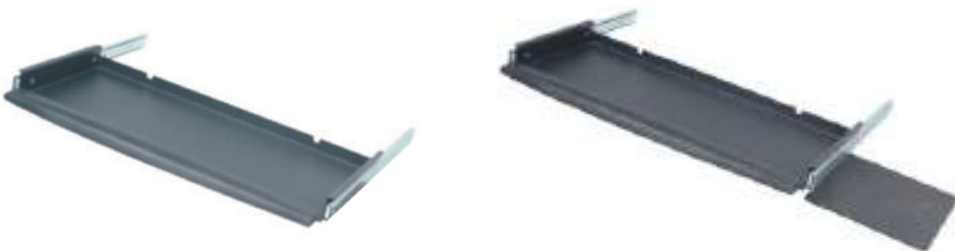
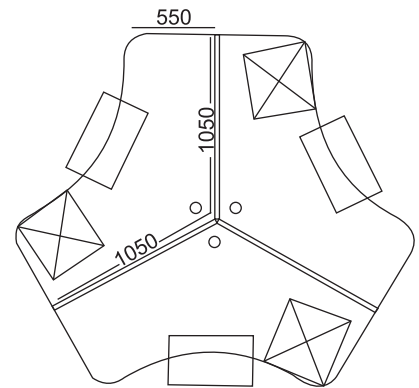


LOTUS ZIG-ZAG

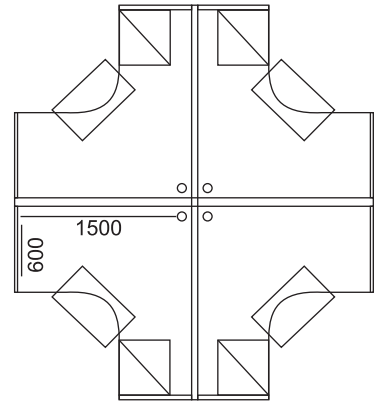
C S 401



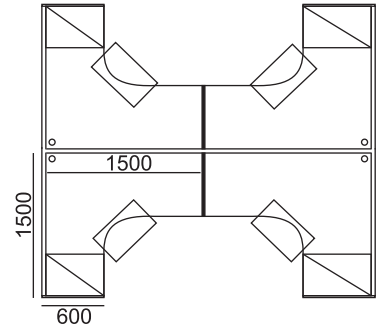
C S 402



DESKING



C S 501



C S 502



C S 503



C S 504

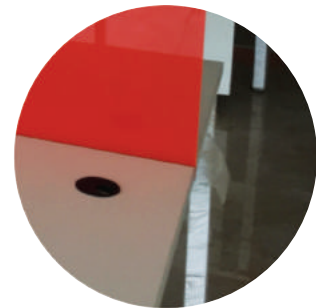
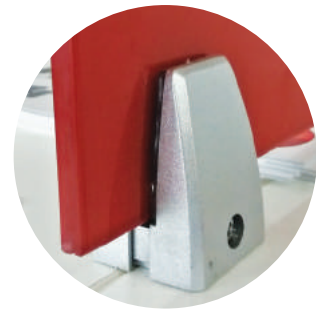
DESKING



C S 601



C S 602



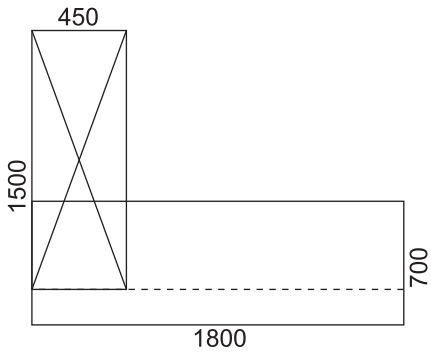
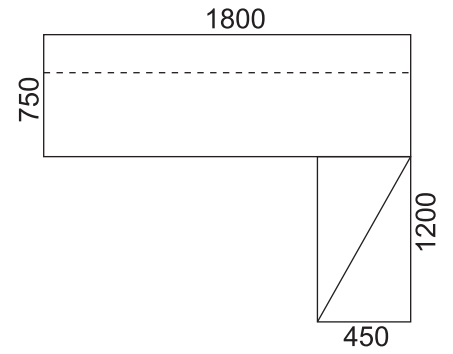
C S 603



EXECUTIVE TABLES



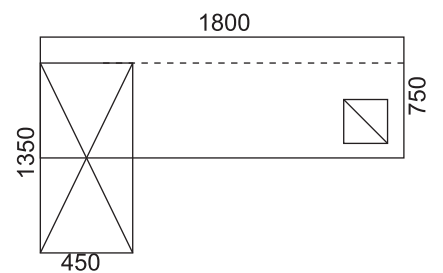
CS 701



CS 702



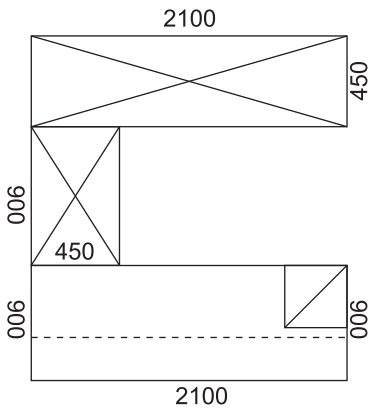
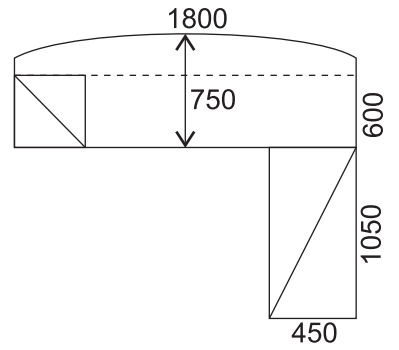
CS 703



EXECUTIVE TABLES



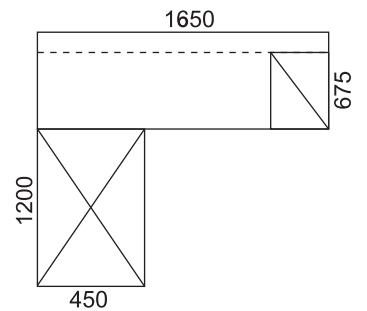
CS 801



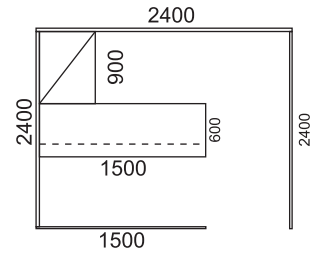
CS 802



CS 803



EXECUTIVE TABLES



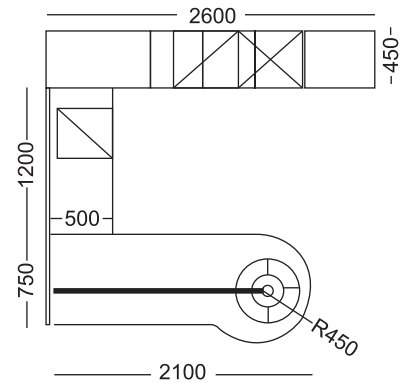
C S 901



C S 902



C S 903



EXECUTIVE TABLES



C S 1001



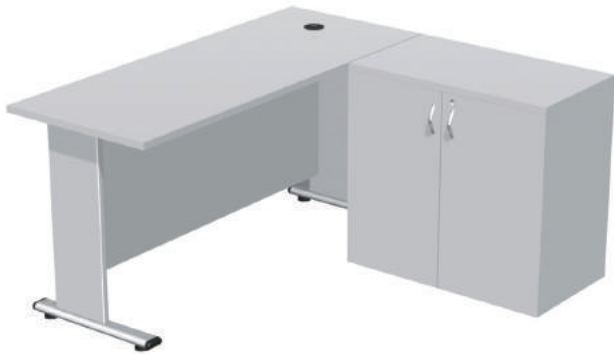
C S 1002



C S 1003



C S 1004



C S 1005



C S 1006



C S 1007



C S 1008

CONFERENCE & MEETING TABLES



C S 1101



C S 1102



C S 1103



C S 1104



C S 1105



RECEPTION TABLES



C S 1201



C S 1202



C S 1203



C S 1204



C S 1205



C S 1206

CHAIRS & SOFA



C S 1301



C S 1302



C S 1303



C S 1304



C S 1305



C S 1306



C S 1307



C S 1308



C S 1309



C S 1310



C S 1311



C S 1312



C S 1313



C S 1314



C S 1315



C S 1316



C S 1317



C S 1318



C S 1319



C S 1320



C S 1321



C S 1322



C S 1323



C S 1324



C S 1325

CHAIRS & SOFA



C S I401



C S I402



C S I403



C S I404



C S I405



C S I406



C S I407



C S I408



C S I409



C S I410



C S I411



C S I412



C S I413

CABINET & STORAGE



C S 1501



C S 1502



C S 1503



C S 1504



C S 1505



C S 1506



C S 1507



C S 1508



C S 1509



C S 1510



C S I601



C S I602



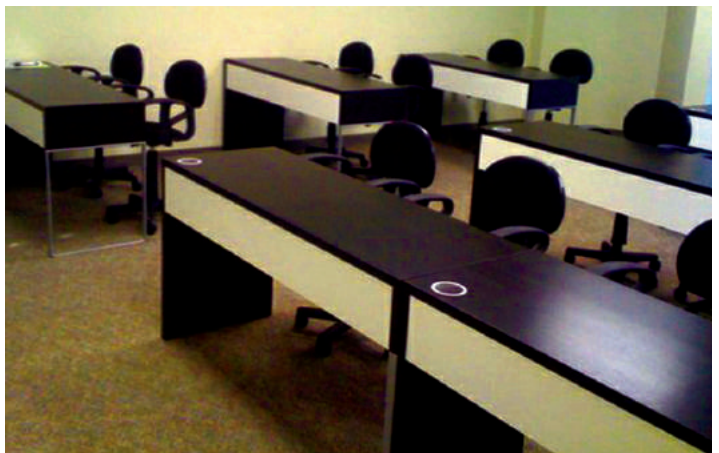
C S I603



C S I604

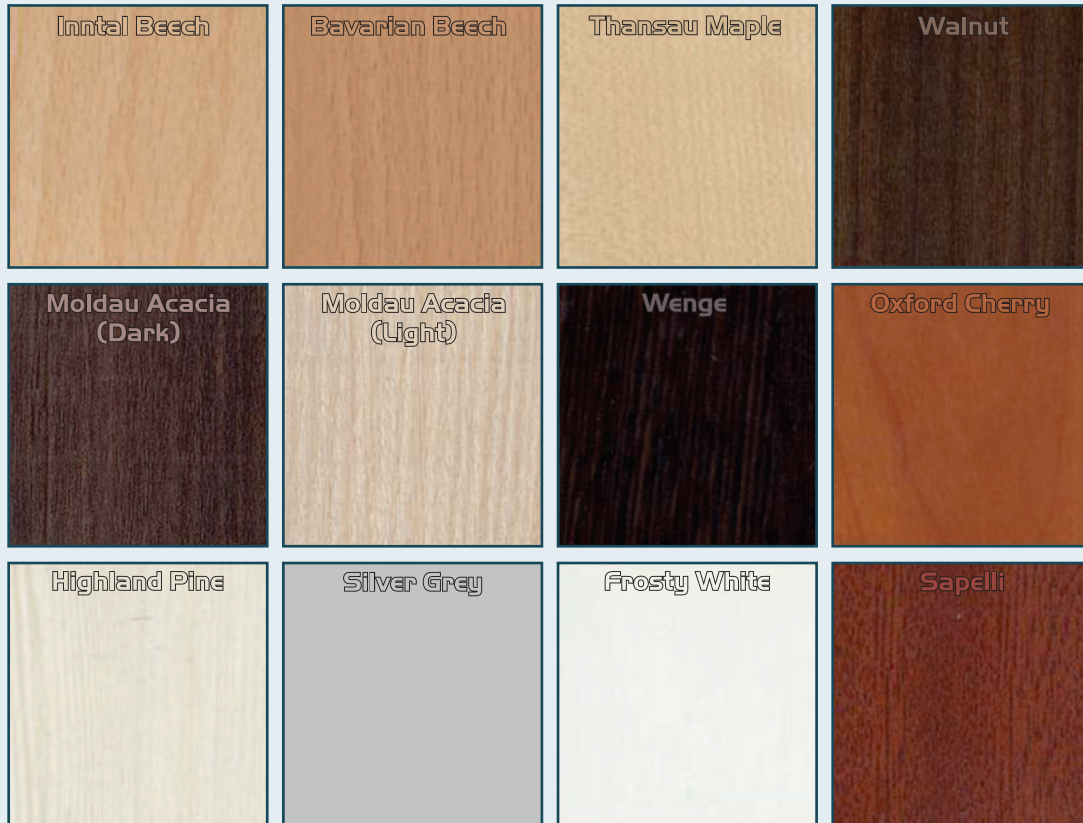


C S I605



C S I606

REGULAR LAMINATE SHADES



CREON SYSTEMS™



Address : G - 265, Sector - 63, Gautam Budh Nagar, Noida, U.P - 201301



Contact No. : +91 9910030065



E-mail : creonsystems@gmail.com



Web : www.creonsystems.com